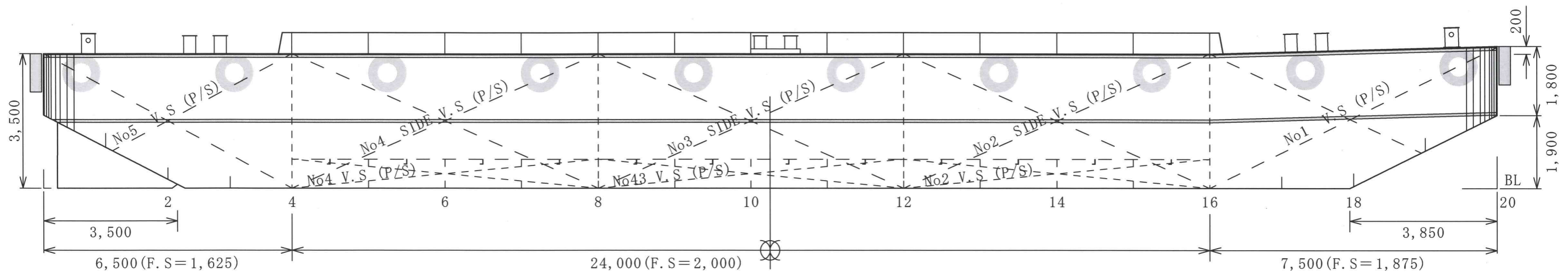


PRINCIPAL PARTICULARS

LENGTH (O. A)	38. ^M 00
BREADTH (MLD)	9. ^M 50
DEPTH (MLD)	3. ^M 50

PROFILE



DECKPLAN

